

INTEGRATION

IP Redundancy / Converter

Network Redundancy and Media Converter for WEYTEC Products

WHY WEYTEC

MAXIMUM AVAILABILITY

... connect devices with single network interfaces to redundant switches



The IP Redundancy / Converter connects WEYTEC products and third party devices that (only) have a single network interface to two different switches within the network. This opens up a wealth of possibilities to configure redundancy and increase operational availability. The IP Redundancy / Converter provides full flexibility to deploy both copper and fiber within the same solution.

- Redundancy for devices with single network interfaces
- Media converter between copper and fiber infrastructure
- Fully compatible and integrated with WEYTEC KVM products and solutions

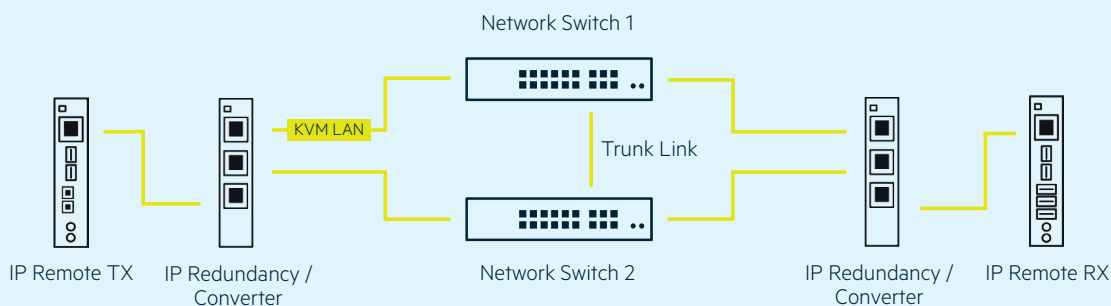
WHY WEYTEC

NO DISTANCE RESTRICTIONS

... achieve greater distances within a network by deploying copper and/or fiber infrastructure

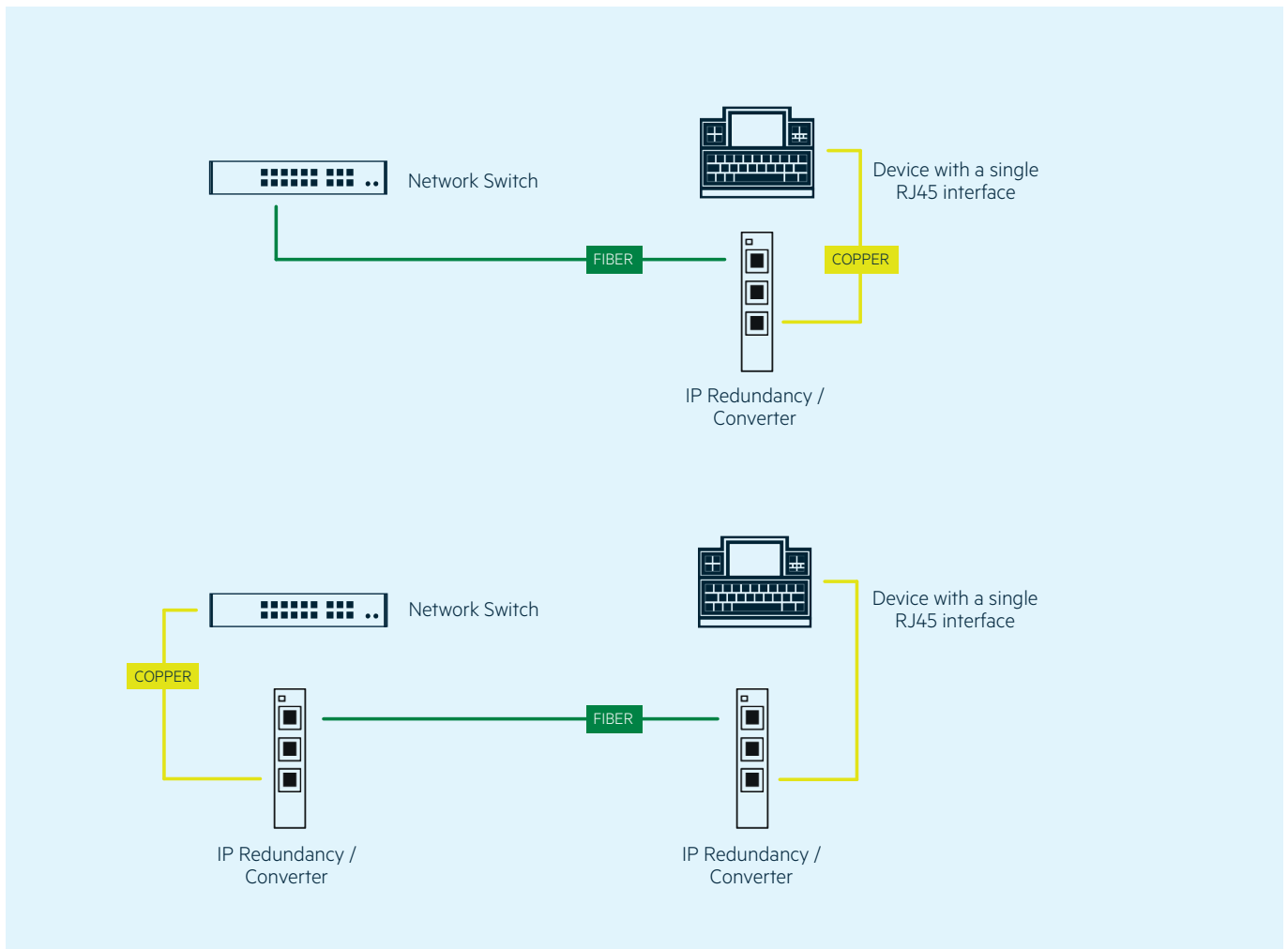
Application Example: Redundancy

The following example shows an IP Redundancy / Converter with an IP Remote Transmitter and Receiver. If Network Switch 1 should fail, the data stream is not interrupted. The IP Redundancy / Converter switches immediately from the defective port on Network Switch 1 to the available port on Network Switch 2.



Application Example: Media Converter

The following examples show how the IP Redundancy / Converter converts between copper and fiber. As a media converter, the device extends connections from copper-based Ethernet devices over fiber optics. This makes it possible to use both existing copper and fiber infrastructure, integrate components with copper-based RJ45 interfaces in the solution, and extend connectivity over longer distances.



Available products

IP Redundancy / Converter Product No. 22955	
SFP	2 x 1000 Base-X SFP Port
RJ45	1 x 10/100/1000 Base-T
USB	1 x USB Mini-B (Service Port)